

# Real Deals

BROUGHT TO YOU BY ISUZU

JULY AUGUST SEPTEMBER 2024



ISRI® 6860/870 PRO AIR SEAT ASSEMBLY

•PAGE 18



ISUZU GENUINE TOWBARS

•PAGE 6



MERITOR® RED DISC BRAKE CHAMBERS

•PAGE 14



BENDIX® BRAKE D-2 GOVERNOR VALVE

•PAGE 17



NARVA® ULTIMA 180 MK2 LED DRIVING LIGHTS

•PAGE 13

• TURN PAGE →



# Genuine Parts for N-Series

For genuine peace of mind, maintain your Isuzu N-Series Truck by using Isuzu Genuine Parts which are developed and manufactured to stringent quality standards, providing you with maximum productivity, performance, and future re-sale value. All backed by a 12-month unlimited kilometre parts-only warranty, or 3-year unlimited kilometres parts & labour warranty when fitted by an authorised Isuzu Trucks dealer, because reliability is everything!

## SIDE COMBINATION LAMP ASSEMBLY

<b>8980397772</b>	N-Series MY2015-Current – Left Hand Side	<b>\$100.10</b>
<b>8980397762</b>	N-Series MY2015-Current – Right Hand Side	<b>\$100.10</b>

\*Applies to all models in range.



## DOOR ASSEMBLY

<b>8982606060</b>	N-Series MY2015-Current – Left Hand Side	<b>\$750.60</b>
<b>8982606051</b>	N-Series MY2015-Current – Right Hand Side	<b>\$750.60</b>

\*Applies to all models in range.



## MIRROR HEAD ASSEMBLY

<b>92075042</b>	N-Series with 19" Manual Main & Spotter Mirror – Left Hand Side	<b>\$190.20</b>
<b>92075041</b>	N-Series with 19" Manual Main & Spotter Mirror – Right Hand Side	<b>\$190.20</b>
<b>92075044</b>	N-Series with 19" Electric Main & Manual Spotter Mirror – Left Hand Side (Premium models)	<b>\$240.00</b>
<b>92075043</b>	N-Series with 19" Electric Main & Manual Spotter Mirror – Right Hand Side (Premium models)	<b>\$240.00</b>

\*Applies to all models in range.



## STEP PANEL ASSEMBLY

<b>8980227754</b>	NL*/NM*/NN*/NP*/NQ* MY2008-Current – Left Hand Side (excluding NPS 4x4)	<b>\$104.30</b>
<b>8980227744</b>	NL*/NM*/NN*/NP*/NQ* MY2008-Current – Right Hand Side (excluding NPS 4x4)	<b>\$104.30</b>

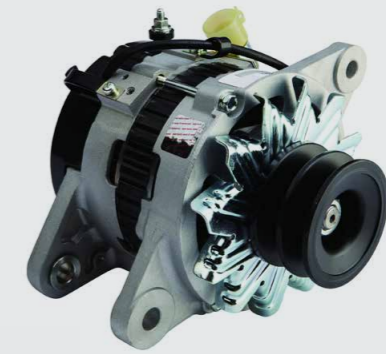
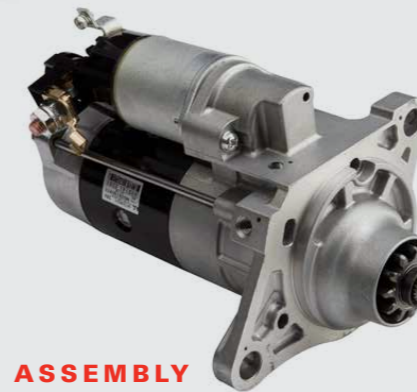
\*Applies to all models in range.



## STARTER MOTOR ASSEMBLY

<b>8982220183</b>	N-Series MY2008-Current with 4JJ1/4HK1 – 24V 4.0kW (excluding NPS)	<b>\$870.15</b>
-------------------	--	-----------------

\*Applies to all models in range.



## ALTERNATOR ASSEMBLY

<b>8982687932</b>	NN*/NP*/NQ* MY2016-Current with 4HK1 Engine – 24V 90amp	<b>\$1516.45</b>
<b>8984819052</b>	NL*/NM* MY2008-Current with 4JJ1 Engine – 24V 90amp	<b>\$1577.15</b>

\*Applies to all models in range.



## BATTERIES

<b>CYB123841</b>	N-Series NS70 12V 650CCA Maintenance Free	<b>\$199.00</b>
<b>CYB123842</b>	N-Series NS70L 12V 650CCA Maintenance Free	<b>\$199.00</b>

\*Applies to all models in range.



## DIESEL PARTICULATE FILTER (DPF)

<b>8980329082</b>	NL*/NM* MY2008-Current with 4JJ1 Engine (Filter only)	<b>\$2601.05</b>
<b>8976080574</b>	NN*/NP*/NQ* MY2008-2018 with 4HK1 Engine (Filter only)	<b>\$3087.00</b>

\*Applies to all models in range.

# Genuine Parts for F/FX/FY-Series

For genuine peace of mind, maintain your Isuzu F/FX/FY-Series Truck by using Isuzu Genuine Parts which are developed and manufactured to stringent quality standards, providing you with maximum productivity, performance, and future re-sale value. All backed by a 12-month unlimited kilometre parts-only warranty, or 3-year unlimited kilometres parts & labour warranty when fitted by an authorised Isuzu Trucks dealer, because reliability is everything!

## DOOR ASSEMBLY

<b>8982605980</b>	F-Series MY2008-Current – Left Hand Side	<b>\$1277.35</b>
<b>8982605971</b>	F-Series MY2008-Current – Right Hand Side	<b>\$1277.35</b>

\*Applies to all models in range.

## SIDE COMBINATION LAMP ASSEMBLY

<b>8980397772</b>	FR*/FS* MY2015-Current – Left Hand Side	<b>\$100.10</b>
<b>8980397762</b>	FR*/FS* MY2015-Current – Right Hand Side	<b>\$100.10</b>
<b>8974101813</b>	FX*/FY*/FT*/FV* MY2008-Current – Left Hand Side (excluding FTS)	<b>\$51.35</b>
<b>8974101804</b>	FX*/FY*/FT*/FV* MY2008-Current – Right Hand Side (excluding FTS)	<b>\$51.35</b>

\*Applies to all models in range.

## MIRROR HEAD ASSEMBLY

<b>92075042</b>	FR*/FS* with 19" Manual Main & Spotter Mirror – Left Hand Side	<b>\$190.20</b>
<b>92075041</b>	FR*/FS* with 19" Manual Main & Spotter Mirror – Right Hand Side	<b>\$190.20</b>
<b>92075046</b>	FR*/FS* with 19" Electric Main & Spotter Mirror – Left Hand Side (Premium models)	<b>\$264.90</b>
<b>92075045</b>	FR*/FS* with 19" Electric Main & Spotter Mirror – Right Hand Side (Premium models)	<b>\$264.90</b>
<b>92075048</b>	FT*/FV*/FX*/FY* with 22" Electric Main & Spotter Mirror – Left Hand Side	<b>\$277.35</b>
<b>92075047</b>	FT*/FV*/FX*/FY* with 22" Electric Main & Spotter Mirror – Right Hand Side	<b>\$277.35</b>

\*Applies to all models in range.

## STEP PANEL ASSEMBLY

<b>8980373264</b>	FR*/FS* MY2008-Current – Left Hand Side (excluding FSS)	<b>\$151.55</b>
<b>8980373254</b>	FR*/FS* MY2008-Current – Right Hand Side (excluding FSS)	<b>\$151.55</b>
<b>8980699773</b>	FX*/FY*/FT*/FV* MY2008-Current – Left Hand Side (Cab-mounted Step excluding FTS)	<b>\$148.55</b>
<b>8980699763</b>	FX*/FY*/FT*/FV* MY2008-Current – Right Hand Side (Cab-mounted Step excluding FTS)	<b>\$148.55</b>

\*Applies to all models in range.



## STARTER MOTOR ASSEMBLY

<b>8982425891</b>	FR*/FS* MY2008-Current with 4HK1 (240hp) Engine – 24V 5.0kW	<b>\$1158.75</b>
<b>8982616690</b>	FR*/FS* MY2008-Current with 6HK1 (260hp) Engine – 24V 5.0kW	<b>\$1158.75</b>
<b>8981412063</b>	FT*/FV* MY2008-Current with 6HK1 (300hp) Engine – 24V 5.0kW	<b>\$962.90</b>
<b>8982222033</b>	FX*/FY* MY2008-Current with 6UZ1 (350hp) Engine – 24V 5.5kW	<b>\$1135.65</b>

\*Applies to all models in range.



## ALTERNATOR ASSEMBLY

<b>8976880350</b>	FR*/FS* MY2008-Current with 6HK1 (260hp) Engine – 24V 60amp	<b>\$1465.85</b>
<b>8976880390</b>	FT*/FV* MY2008-Current with 6HK1 (300hp) Engine – 24V 90amp	<b>\$4181.20</b>

\*Applies to all models in range.



## BATTERIES

<b>CYB125840</b>	F-Series N100 12V 740CCA Maintenance Free	<b>\$290.00</b>
<b>CYB125842</b>	F-Series N100L 12V 740CCA Maintenance Free	<b>\$290.00</b>

\*Applies to all models in range.

## DIESEL PARTICULATE FILTER (DPF)

<b>8976080574</b>	FR*/FS* MY2008-Current with 4HK1 (240hp) & 6HK1 (260hp) Engine (Filter only)	<b>\$3087.00</b>
<b>8976080563</b>	FT*/FV* MY2008-Current with 6HK1 (300hp) Engine (Filter only)	<b>\$4115.95</b>

\*Applies to all models in range.



# Genuine Accessories

Isuzu Genuine Accessories are designed to improve your total driving experience through the enhancement of your truck's practicality and style. All Isuzu Accessories are designed and manufactured to meet Isuzu's rigorous engineering standards.

## N-SERIES TOWBAR ASSEMBLY

Isuzu Genuine Towbars are put through a rigorous dynamic, static and chain-pull testing regime. All components are fully validated to Australian Design Rules (ADR) standards, providing extra peace of mind. Supplied as standard with a 3,500kg rated 50mm towball & tongue assembly, this can be easily upgraded to a truly marketing leading 4,000kg or 4,500kg rated 70mm towball & tongue assembly (model dependant). Plug-&-Play factory-approved Electric Trailer Brake Control Kit available for full compliance & complete confidence. Note - 4.5t 70mm Towball shown.

92958031	NPR/NQR Cab Chassis (MWB)	\$985.00
92958032	NNR	\$985.00
92958033	NPR/NQR Tipper	\$985.00
92958034	NPR/NQR Cab Chassis (SWB/MLWB/LWB/AH/Crew Cab)	\$985.00
92958035	NPS	\$985.00
92958036	NLR/NLS/NMR (excl. MWB Traypack)	\$985.00
92958037	NLR/NLS/NMR Tipper	\$985.00
92958038	NLR/NMR Traypack (MWB)	\$985.00
92958041	4,500kg rated 70mm Towball & Tongue Upgrade for NPR, NPS, NQR models.	\$799.00
92958049	4,000kg rated 70mm Towball & Tongue Upgrade for NLR, NLS, NMR, NNR models.	\$799.00
92955674	Electric Trailer Brake Control Kit - 24 Volt	\$749.00

\*Applies to all models in range.



## RUBBER FLOOR MATS

Durable rubber matting tailored to the footwell of your Isuzu Truck for seamless fitment and ultimate protection of the floor lining.

5867131570	NL*/NM* MY2008-Current	\$76.25
5867131580	NN*/NP*/NQ* MY2008-Current	\$77.30
1867231010	FR*/FS* MY2008-Current	\$71.85
1867231022	FT*/FV* MY2008-Current	\$79.60
1867130771	FX*/FY* MY2008-Current	\$70.05

\*Applies to all models in range.



## SLIMLINE WEATHERSHIELD SET

5867602930 N/F/FX/FY Series MY2008-Current \$193.55

\*Applies to all models in range.



## SAFETY TRIANGLES

92958759 To suit All Makes & Models of Trucks & Cars. \$41.30

\*Applies to all models in range.

## MYISUZU CO-PILOT MULTIMEDIA UNIT ASSEMBLY

The Mylsuzu Co-Pilot Multimedia system features a 10.1 inch touch screen, Apple CarPlay, Android Auto, and digital/internet stations. Navigate through the menu, or for even greater convenience and safety, use voice-controls for many of the available functions. Hands-free Bluetooth is standard. Contact your Isuzu dealer today about fitting the very latest audio visual technology to your Isuzu Truck.

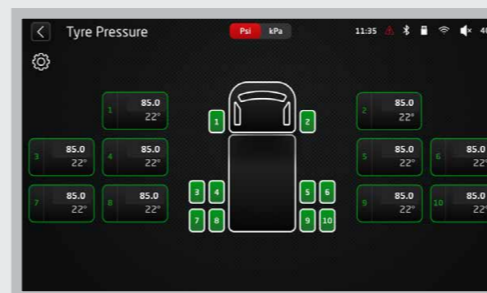
92958463 N/F/FX/FY Series (excluding Dual Control vehicles) \$1863.90

\*Applies to all models in range.



## TYRE PRESSURE MONITORING SYSTEM (TPMS)

The Isuzu Tyre Pressure Monitoring System (TPMS) is fully integrated with the Mylsuzu Co-Pilot Multimedia Unit, unlike aftermarket TPMS products that require a separate display often causing congestion around the instrument panel. Isuzu TPMS provides the operator with tyre pressures across all vehicle axles in both PSI or KpA measurements, and tyre temperatures. Alerting the operator in the event of pressure loss or excessive increases in temperature.\*



92958470 6-Sensor Main Kit \$1097.20

92958480 2-Sensor Additional Kit \$210.45

\*Applies to all models in range.

\*The tyre pressure monitoring system is a guidance system and not a substitute for manually checking tyre pressures. You should periodically check tyre pressures using a calibrated pressure gauge. Failure to correctly maintain tyre pressures could increase the risk of tyre failure, loss of control, vehicle rollover and personal injury. Use your device in such a way that you can always safely control your vehicle. If in doubt, stop at a suitable location and operate your device while the vehicle is parked. As the driver, you may not use applications that will distract you from driving. NOTE: The values shown in the photo are for illustration purposes only.

## HEAVY-DUTY CANVAS SEAT COVERS

Ultra-hard wearing waterproof seat cover tailored to your Isuzu Truck, offering easy fitment and maximum surface protection of your seats.

92957917 F-Series with ISRI 6860/875 MY2008-Current – Driver Seat Only \$164.80

92957347 NL\*/NM\* MY2008-2021 – Driver & Passenger Seat \$242.60

92958624 NL\*/NM\* MY2022-Current – Driver (Suspension) & Passenger Seat \$242.60

92957344 NN\*/NP\*/NQ\* MY2008-2015 – Driver (Suspension) & Passenger Seat \$242.60

92955658 NN\*/NP\*/NQ\* MY2015-Current – Driver (Suspension) & Passenger Seat \$242.60

92957341 NN\*/NP\*/NQ\* MY2008-Current – Rear Seat \$242.60

\*Applies to all models in range.



# Best Value Parts (BVP)

Isuzu BVP portfolio offers a comprehensive range of parts to suit older model Isuzu Trucks, all manufactured to high standards and backed by a 12-month, unlimited kilometre warranty. The BVP range is available exclusively through our 73 Service & Parts locations Australia-wide.



## BVP FILTER KITS

<b>92955807</b>	N-Series with 4HE1 Turbo Intercooled Engine (SiTEC 130/140/145/170)	<b>\$36.30</b>
<b>92955808</b>	N-Series with 4HE1/4HF1/4HG1 Engine (SiTEC 110/115/120 excluding NPS)	<b>\$33.05</b>
<b>92955811</b>	N-Series with 4HK1 Engine (SiTEC 150/175)	<b>\$44.85</b>
<b>92955812</b>	F-Series with 6HH1 Engine (SiTEC 175/200)	<b>\$53.20</b>
<b>92955815</b>	F-Series with 6SD1 Turbo Engine (SiTEC 270)	<b>\$68.25</b>
<b>92955816</b>	F-Series with 6SD1 Turbo Engine (SiTEC 275)	<b>\$65.65</b>
<b>92955818</b>	F-Series with 6HK1-TCS Engine (SiTEC 255)	<b>\$44.05</b>
<b>92955820</b>	C&E Series (Giga) with 6WF1/6WVG1 Engine (SiTEC 385/425 from 01/03/2004)	<b>\$45.95</b>



## BVP SHOCK ABSORBERS

<b>1876101530</b>	FTS MY2011-2016 – Steer Axle	<b>\$91.70</b>
<b>1876102630</b>	FSR MY2011-2021 – Steer Axle	<b>\$106.55</b>
<b>5876102880</b>	FTR/FV* MY2008-Current – Steer Axle	<b>\$205.80</b>
<b>5876102880</b>	NNR/NPR/NQR MY2011-Current – Steer Axle (Single Cab)	<b>\$104.10</b>
<b>5876102850</b>	NPR/NQR MY2011-Current – Steer Axle (Crew Cab)	<b>\$49.50</b>
<b>5876101320</b>	NNR/NPR MY2011-Current – Drive Axle	<b>\$46.15</b>
<b>5876101330</b>	NQR MY2011-Current – Drive Axle	<b>\$47.55</b>



## BVP CLUTCH KITS

<b>1876101750</b>	15" Organic - FR*/FS*/FT* with 6HK1-TCC/TCN Engine & MZW6 Transmission (2010-2017)	<b>\$843.25</b>
<b>1876101910</b>	15" Organic - FR*/FS*/FT* with 6HK1-TCC/TCN Engine & MZX6/MZW6 Transmission	<b>\$ 994.20</b>
<b>1876101991</b>	15" Ceramic - FV*/GV* with 6HK1 TCS Engine & ZF 9S1110 Transmission	<b>\$933.65</b>
<b>5876102340</b>	14" Organic - FR*/FSS with 4HK1 TCS & MZX6/MZW6 Transmission (Pre-2016)	<b>\$779.10</b>
<b>5876102040</b>	13" Organic - NP*/NQ* with 4HK1 Engine & MYY Transmission	<b>\$429.60</b>
<b>5876102320</b>	13" Organic - NP*/NQ* with 4HK1 Engine & MZZ Transmission	<b>\$490.70</b>
<b>5876102060</b>	12" Organic - NL*/NN* with 4JJ1 Engine	<b>\$433.40</b>



## BVP CLUTCH BOOSTER

<b>1876100890</b>	90mm Diameter	<b>\$366.65</b>
<b>1876100850</b>	70mm Diameter	<b>\$430.75</b>



## BVP WIPER BLADES

<b>5876100321</b>	450mm Length U-Hook Type	<b>\$10.00</b>
<b>5876100341</b>	500mm Length U-Hook Type	<b>\$11.50</b>
<b>5876100351</b>	550mm Length U-Hook Type	<b>\$13.00</b>

# Qantas Business Rewards Trade Mate

Thanks to our partnership with Qantas Business Rewards, your business can earn Qantas Points as an Isuzu Trade Mate\*. When you become an Isuzu Trade Mate member your business will earn 1 Qantas Point for every dollar you spend on eligible Isuzu Truck parts or accessories purchased from participating authorised Isuzu Dealers.

Apply now to earn Qantas Points for your business\*.



Terms and Conditions apply.



To find out more scan the code or visit [parts.isuzu.com.au/isuzu-trade-program](https://parts.isuzu.com.au/isuzu-trade-program)

# Reward your business for purchasing Isuzu Truck parts and accessories..

Your business can use Qantas Points earned on a range of rewards including booking flights, upgrades and more. Or you can transfer your business's Qantas Points to any Qantas Frequent Flyer account to use on car hire, hotels, wine or choose from over 20,000 products at the Qantas Marketplace\*.



ISUZU SERVICE AGREEMENTS

# Zero-stress servicing. Brought to you by Isuzu.

No business wants big, unexpected bills. But with an Isuzu service agreement, you can flatten your truck servicing costs into a predictable monthly payment (or upfront fee with Isuzu Essentials). You'll also be part of one of Australia's biggest dealer networks, so you can book a service at locations around the country. With the new Chain of Responsibility laws, proper servicing will protect your business. Lastly, service agreements come with Isuzu Care, Australia's most comprehensive truck customer care programme.

To find out more, see your nearest dealer or visit [isuzu.com.au/care-support/service-agreements](http://isuzu.com.au/care-support/service-agreements).



Ask your local Isuzu dealer about which service agreement is right for you.

- Isuzu Essentials
- Isuzu Essentials Plus
- Isuzu Total
- Isuzu Heritage



### DEALER NETWORK

Isuzu has Australia's biggest dealer network. If you book into any Isuzu Service Centre nationwide, they'll have access to your truck's comprehensive service history



### ISUZU CARE

Australia's most comprehensive truck customer care programme, Isuzu Care has a team of service specialists to ensure that owning your Isuzu is a great experience. To contact them, just freecall 1800 035 640.



### STREAMLINED PROCESS

Maintaining your trucks under a Priority Service Agreement is quick and easy. With prearranged payments, you won't have to worry about the hassle of arranging finances before your drivers drop off and pick up trucks on the day of the service.



### CHAIN OF RESPONSIBILITY & NHVR

With a Priority Service Agreement, you're clearly demonstrating that you've pre-planned your fleet maintenance and have put established procedures in place. That means establishing NHVR (National Heavy Vehicle Regulator) fleet maintenance requirements couldn't be easier.

### ONLY THE BEST SERVICE AND PARTS

Using a combination of the latest diagnostic software and Isuzu-approved parts, our qualified Isuzu technicians will keep your truck in tip-top condition.



### REDUCE TOTAL COST OF OWNERSHIP

Better servicing helps reduce unforeseen overheads and results in more reliable, fuel-efficient trucks. And that means less downtime and lower total cost of ownership.



### FACTORY TRAINED TECHNICIANS

Why would you trust your Isuzu to anyone but an Isuzu-trained technician? With meticulous training tailored specifically to Isuzu trucks, our team carries out servicing and repairs to manufacturer-documented standards (and that means the highest level possible!).



### RESALE VALUE

Thanks to the comprehensive service history you receive from Isuzu, you'll always get the best price for your truck when the time comes for an upgrade.

# Genuine Filtration & Lubricants

## GENUINE SERVICE FILTER KITS

Included are oil filters, fuel filter/s, sump plug washer, sediment filters and PCV filters (where applicable).

92958223	NL*/NM*/NN* with 4JJ1 Engine MY2008-Current	\$136.55
92958224	NP*/NQ* with 4HK1 Engine MY2008-Current	\$164.20
92958225	FR*/FS* with 4HK1 Engine MY2016-Current	\$208.80
92958226	FR*/FS*/FT*/FV* with 6HK1 Engine MY2016-Current	\$189.40
92958227	FX*/FY* with 6UZ1 Engine MY2016-Current	\$306.10



## ISUZU NEXTGEN PLUS 10W-40 CK-4 E8/E11 ENGINE OIL

Isuzu NextGen Plus 10W-40 Engine Oil adheres to the latest E8/E11 ACEA specification and approval process. Using a carefully chosen base stock formulation and premium additives that meet the demands of Euro 5 & 6 engine requirements, it has been engineered to reduce oxidation and assist with piston cleanliness, decreasing soot and carbon build-up. Recommended for use in Isuzu Trucks and has wider appeal across a range of other commercial vehicles including those with Exhaust Gas Recirculation (EGR), Diesel Oxidation Catalyst (DOC) systems and Diesel Particulate Filter (DPF) exhaust after-treatment systems, making it a staple for any automotive workshop.



92958803	5 Litre	\$50.30
92958804	20 Litre	\$187.15
92958805	205 Litre	\$1,733.85



## ISUZU LONG LIFE ANTIFREEZE PREMIXED COOLANT

Isuzu Long Life Coolant is premixed SI-OAT formulation based on Mono Ethylene Glycol, free of amines, nitrates and phosphates and provides superior aluminium protection for radiator components. Green in colour.

92957732	5 Litre	\$30.60
92957733	20 Litre	\$118.55
92957734	205 Litre	\$984.50



## ISUZU DIESEL INJECTOR CLEANER ADDITIVE

A high performance diesel fuel injector cleaner designed for use in passenger car and truck engines. Suitable for all diesel-powered vehicles including latest generation common rail diesel and bio-diesel blends.

92958716	300mL Bottle	\$9.85
92958717	1L Bottle	\$26.20



## ISUZU WINDSCREEN WASHER ADDITIVE

Additive for windscreen washer reservoir to allow for easy removal of grime, spot and insects.

92955564	500ml	\$4.40
----------	-------	--------

# Narva Lighting & Electrical

## ULTIMA LED HIGH PERFORMANCE LIGHT BARS

Ultima Light Bars take the legendary Ultima build quality to a new level. Encased in a single-piece pressure die-cast aluminium housing with integrated DT connector, Ultima light bars have the highest possible Ingress Protection Rating (IP Rating) of IP68 and IP69K. This means water and dust don't stand a chance. The single piece housing also ensures improved cooling and optimised light performance at all times. Lighter than die-cast brackets and passing the same durability tests as MK2 driving lights, the glass-filled nylon brackets provide incredible vibration resistance. The UV-resistant, hard coated polycarbonate lens and lens covers are designed to prevent yellowing and protect against accidental stone chip damage. Available in 8 & 24 Inch and backed by a 10-year warranty.

71710BK	8" Long & Wide Hybrid Beam – Black Edition (Sold as Pair)	\$580.00
71715BK	8" Ultra Wide Flood Beam – Black Edition (Sold as Pair)	\$580.00
71720S	24" Long & Wide Hybrid Beam – Satin Stainless	\$660.00
71720BK	24" Long & Wide Hybrid Beam – Black Edition	\$660.00
71725S	24" Ultra Wide Flood Beam – Satin Stainless	\$660.00
71725BK	24" Ultra Wide Flood Beam – Black Edition	\$660.00



## MODEL 45 TRUCK & TRAILER LED LAMPS

Lamps feature polycarbonate lenses, multi-voltage circuitry and are backed by a 5-year warranty. Kit includes: 1x 9-33V LED Lamp, 1x Vinyl Grommet, 1x Plug & Lead.

9453W	Rear Direction Indicator Lamp Kit (Amber)	\$46.00
94534	Rear Stop/Tail Lamp Kit (Red)	\$46.00
94538	Reverse Lamp Kit (White)	\$84.00

## MODEL 41 REAR COMBINATION LED LAMP KIT

Compact design for recreational or commercial applications. This kit is a submersible version featuring 9 metres of hard-wired cable to ensure electrical connection can be made with trailer plug above the submersion level. Kit includes: 2x LED Stop/Tail & Direction Lamp, 1x LED Licence Plate Lamp.

94142TP	Rear Direction Indicator Lamp Kit (Amber)	\$279.00
---------	---	----------



## NARVA® 7" LED HEADLAMP INSERT

Available in High only and High/Low Beam, these LED Headlamp inserts with Daytime Running Lights (DRL) & Position Light provide intense white light performance from the latest LED technology - ideal for trucks, off-road vehicles, classic cars & motorcycles. 5-year LED Warranty.

72104	High/Low Beam, DRL & Position Light	\$490.00
72106	High Beam, DRL & Position Light	\$490.00

## MODEL 48 REAR COMBINATION LED LAMPS

94850	Rear Direction Indicator & Twin Stop/Tail Lamps	\$186.00
94856H	Rear Direction Indicator, Stop/Tail & Reverse Lamps (Horizontal Mounting)	\$199.00



## DEUTSCH CONNECTOR ASSORTMENT KIT

57400		\$321.00
-------	--	----------

## NARVA® ULTIMA 180 MK2 LED DRIVING LIGHTS

Compact meets powerful with Narva's Ultima 180 MK2 L.E.D High Powered Driving Lights which now output a monstrous 15,000 raw lumens. They're a great match for medium-sized 4x4s, crew cabs and commercial transport vehicles with smaller bull bars or where space is limited. Single Lamp Includes: 1 x Hybrid Beam LED Driving Light; 1 x Hard Coated Polycarbonate Lens Protector; 4 x Interchangeable Colour Trims (Blue, Yellow, Black & Red); 1 x Stainless Steel Mounting Hardware Kit; 1 x Waterproof DT Connector.

### 30% BRIGHTER

The very latest 5 Watt Osram LEDs produce a powerful white light output that is 30% brighter than the first generation.

### 20% LONGER

A class-leading hybrid beam pattern combining volume for off-road 4WD use and long range performance for transport.

### 100% BOLDER

New Black Edition lamps, three bold colour trims and dark tinted "stealth" lens covers (kits only).

### IMPROVED COLOUR

A new Colour Rendering Index of 72 provides a more natural light colour and better visibility.

### MADE FOR AUSTRALIA

Designed, tested and engineered in Australia to suit our unique driving conditions.

### UNPRECEDENTED 10 YEAR WARRANTY

Ultima MK2 Driving Lights are built to last and backed by a 10 year warranty.

71730S	180mm Satin Stainless - Single Lamp	\$398.00
71730BK	180mm Black Edition - Single Lamp	\$398.00
71732BK	180mm Black Edition - Twin Lamp Kit includes 12V 'Plug & Play' Wiring Harness (9-33 Volt)	\$849.00



## HEAVY DUTY 7-PIN PLUG & SOCKET

82194	Round Metal Trailer Plug	\$38.00
82094	Round Metal Trailer Socket	\$43.00



## NARVA® RECHARGEABLE LED INSPECTION LIGHT

The Handheld Rechargeable LED Inspection Light is perfect for dark nights in the workshop, on the side of the road or at the campsite. With up to 16 hours continuous runtime, an effective output of up to 1000 effective lumens, and an IP65 rating, it's powerful and virtually indestructible! See and be seen on the job or in the bush this Winter with Narva.

71322		\$114.00
-------	--	----------



## MERITOR® GENUINE TIE ROD ENDS

<b>R230068</b>	Meritor FG941/MFS66 – Left Hand Thread	<b>\$59.00</b>
<b>R230069</b>	Meritor FG941/MFS66 – Right Hand Thread	<b>\$59.00</b>
<b>R230072</b>	Meritor MFS73/FL941 – Left Hand Thread	<b>\$75.00</b>
<b>R230073</b>	Meritor MFS73/FL941 – Right Hand Thread	<b>\$75.00</b>



## MERITOR® EZI-STEER KING PIN KITS

<b>R201309</b>	Meritor FG941	<b>\$306.75</b>
<b>R201475</b>	Meritor MFS73/MFS16	<b>\$427.30</b>

## MERITOR® RED CAST BRAKE DRUMS – 335MM PCD

<b>MBD119</b>	Steer Axle – 16.5" x 5" 335mm PCD 10 Stud	<b>\$208.85</b>
<b>MBD177</b>	Steer Axle – 16.5" x 6" 335mm PCD 10 Stud	<b>\$219.60</b>
<b>MBD192</b>	Drive Axle – 16.5" x 7" 335mm PCD 10 Stud	<b>\$189.00</b>



## MERITOR® RED DISC BRAKE CHAMBERS

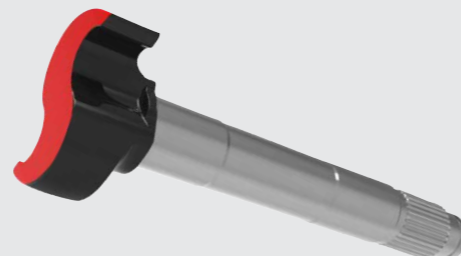
For BPW applications and tested to SAE J2932 & J2902 standards ensuring optimal reliability across applications. A heavy-duty powder coated housing for longer life. Includes release tool & mounting hardware for ease of installation.

<b>MBC1424L</b>	Size 14/24 2.25" Stroke – Left Hand Side (BPW 0544438020)	<b>\$157.60</b>
<b>MBC1424R</b>	Size 14/24 2.25" Stroke – Right Hand Side (BPW 0544438010)	<b>\$157.60</b>

## MERITOR® RED BRAKE S-CAMS

To suit Q-Plus 1.5" x 28 Spline brake applications

<b>MCS7536</b>	11-9/16" Length – Right Hand Side (Meritor 2210V7536)	<b>\$43.20</b>
<b>MCS7537</b>	11-9/16" Length – Left Hand Side (Meritor 2210W7537)	<b>\$43.20</b>
<b>MCS7452</b>	9-5/16" Length – Right Hand Side (Meritor 2210P7452)	<b>\$49.50</b>
<b>MCS7453</b>	9-5/16" Length – Left Hand Side (Meritor 2210Q7453)	<b>\$49.50</b>
<b>MCS7670</b>	15-3/16" Length – Right Hand Side (Meritor 2210Z7670)	<b>\$49.50</b>
<b>MCS7671</b>	15-3/16" Length – Left Hand Side (Meritor 2210A7671)	<b>\$49.50</b>



## MERITOR® ALUMINIUM WHEELS

Rigorously tested to exceed SAE J267 standards for proven reliability, additional passivation layers for extra protection against tarnish and corrosion. Cold flow formed after forging process for greater strength and lighter designs, available in standard machined finish or high quality mirror polish. 5-year unlimited kilometre warranty.

<b>MAW2258AM</b>	Machined - 22.5" x 8.25" 10 Stud 285mm PCD	<b>\$411.80</b>
<b>MAW2258AMP</b>	Mirror Polish Inside & Outside - 22.5" x 8.25" 10 Stud 285mm PCD	<b>\$447.95</b>
<b>MAW2258EM</b>	Machined - 22.5" x 8.25" 10 Stud 335mm PCD (26mm Stud Hole)	<b>\$414.25</b>
<b>MAW2258EMP</b>	Mirror Polish Inside & Outside - 22.5" x 8.25" 10 Stud 335mm PCD (26mm Stud Hole)	<b>\$450.00</b>



## MERITOR® KSMA 16.5" X 7" BRAKE SHOE KITS

Reduce your downtime and overall running costs by using the market-leading Meritor® Genuine braking components engineered to OEM specifications.

<b>KSMA212470QP</b>	Drive Axle – Q+ MA212 Standard Lining (21,000 lbs GAWR)	<b>\$126.35</b>
<b>KSMA312470QP</b>	Drive Axle – Q+ MA312 Premium Lining (23,000 lbs GAWR)	<b>\$169.45</b>

## MERITOR® CS9 AIR SPRINGS & SHOCK ABSORBERS

Fitted to various Maxitrans Trailers

<b>21229214</b>	Air Spring Assembly	<b>\$234.60</b>
<b>21228392</b>	Shock Absorber – Low Mount	<b>\$192.45</b>
<b>21228930</b>	Shock Absorber – Top Mount	<b>\$217.75</b>



## MERITOR® HEIGHT CONTROL VALVE

<b>R309624</b>	Delayed Response (Hadley H00500C) used on Kenworth Airglide applications.	<b>\$161.95</b>
----------------	---	-----------------



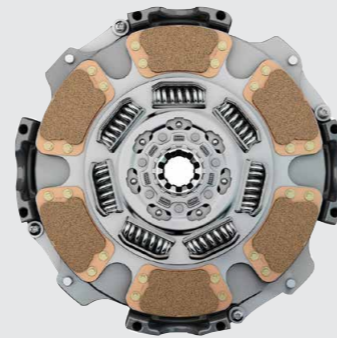


# All Makes.

## EATON® ADVANTAGE EASY-PEDAL™ CLUTCH KITS

Offering more protection, less maintenance, and maximum uptime and performance. With the use of assist springs, the Easy-Pedal™ design reduces pedal effort by as much as 50%, increasing driver satisfaction and ease of operation.

308935-529	2" 10-Spline 2050 Lb. Ft.	\$1,764.10
308935-515	2" 10-Spline 2050 Lb. Ft. Pre-Damper	\$2,116.65
308938-556	2" 14-Spline 2250 Lb. Ft.	\$2,521.40
308938-583	2" 14-Spline 2250 Lb. Ft. Pre-Damper	\$2,560.65



## EATON® CLUTCH INSTALLATION KITS

Save time and give yourself peace of mind by using an Eaton Clutch Installation Kit; containing all the parts and instructions you need for longer clutch life, smoother shifts and less wear on your transmission.

K-2468	RT Series with 10-Spline Input Shaft	\$412.80
K-3768	RT Series with 14-Spline Input Shaft	\$461.05
K-4125	RT Series with Hydraulic Clutch Release	\$557.05



## EATON® PS-386 SYNTHETIC TRANSMISSION LUBRICANT

Eaton's PS-386 Synthetic transmission lubricant is designed for fuel efficiency, extended drain intervals, and severe service in heavy-duty commercial vehicle transmissions which require a non-EP transmission lubricant. It is specially formulated to protect higher torque transmissions coupled with increased horsepower engines. It is approved for use in Eaton and Eaton Cummins manual and automated transmissions such as Endurant HD, Endurant XD, UltraShift PLUS, Fuller Advantage, FR, and RT Series.

5564543	20 Litre	\$541.45
---------	----------	----------



## SKF® BRAKEMASTER TURBO-2000 AIR DRYER

620300	Air Dryer Assembly – 12 Volt System	\$756.15
T2000SK-P	Service Kit includes Desiccant Cartridge, Replacement Valves & Seals	\$336.65
T224-P	Desiccant Cartridge – Filtration Plus	\$193.90

## TIMKEN® WHEEL END KITS

Includes Hub Seal, Inner & Outer Wheel Bearings for one (1) wheel end.

WBK4SCR	FF Steer Axle (SKF Seal 35066 / Inner SET413 / Outer SET406)	\$141.05
WBK4SUCR	FF HD Steer Axle (SKF Seal 35066 / Inner SET413 / Outer SET409)	\$170.40
WBK4SCHB	FL Steer Axle (SKF Seal 43764 / Inner SET423 / Outer SET424)	\$367.45
WBK3DCR	R Drive Axle (SKF Seal 47697 / Inner SET403 / Outer SET401)	\$195.60
WBK3DCRV	R Drive Axle (SKF Seal 47693 / Inner SET403 / Outer SET401)	\$206.20
WBK1TCR	N Trailer Axle (SKF Seal 46305 / Inner SET414 / Outer SET413)	\$179.25
WBK1TCRP	N Trailer Axle (SKF Seal 46300 / Inner SET414 / Outer SET413)	\$187.95
WBK1TSTG	N Trailer Axle (Stemco Seal STM-0743G / Inner SET414 / Outer SET413)	\$154.40



# All Makes.

## STEMCO KAISER PLUS KIT® KING PINS

For no-ream installation, a perfect fit, less downtime and better quality covered by a 2-year parts warranty.

77.931.18	Meritor FG941 Steer Axle	\$454.35
79.131.18	Meritor MFS66 Steer Axle	\$601.50
70.141.19	Dana/Spicer I-140S Steer Axle	\$557.10



## FLEETGUARD® SERVICE FILTERS FOR CUMMINS ISXE5 & X15

When you buy a Cummins Filtration product, you are assured superior warranty protection from the point of purchase throughout the recommended life of the product. Unlike industry competitors, Fleetguard® warranty coverage is not pro-rated, which means you are fully protected through the recommended service life of the product. These factors make the Cummins Filtration Warranty one of the best in the industry.

LF14000NN	Lube Filter – NanoNet®	\$58.95
FF5776	Fuel Filter	\$61.65
FS19764	Fuel/Water Separator Element	\$34.55
AS2474	Air/Oil Separator Element	\$14.85



## HENDRICKSON INTRAAX® & HT™ SHOCK ABSORBERS

S-20889	HT230/AAT230-250 – Non-Road Friendly Suspension (RFS)	\$144.65
S-21699	HT230/AAT230-250 – Standard Road Friendly Suspension (RFS)	\$183.55



## HENDRICKSON® INTRAAX® & HT™ AIR SPRING ASSEMBLIES

S-21800	AAT/AANT230 (except 12" ride-height)	\$278.65
S-21208	HT230 – Top Mount	\$290.35
C-20901	AAT250 (except 12" ride-height)	\$324.25
C-20127	HT250 – Underslung	\$343.10

## HENDRICKSON TRI-FUNCTIONAL™ BUSH KITS

A-31624	AAT/HT with 6" Wide Bush	\$187.20
S-31622	AANT with 3" Narrow Bush	\$354.85



## HENDRICKSON® MAXX22T BRAKE PAD KIT

S-35303-1	415mm Rotor HDT-415 ADB	\$382.85
-----------	-------------------------	----------



## BENDIX® D-2 GOVERNOR VALVE

275707N	\$104.20
---------	----------

## BENDIX® E-6 DUAL BRAKE TREADLE VALVE

286171N	\$214.35
---------	----------



# All Makes

## ISRI® 6860/870 PRO AIR SEAT ASSEMBLY

Advanced design incorporating third generation suspension technology ensures maximum safety and comfort. Efficient operating weight range of 50 to 150kg, integrated 3-point seat belt, integrated head restraint, adjustable vertical shock absorber, integrated pneumatic system (IPS) dual stage air lumbar with lateral support and anatomically shaped cushion and backrest foams



**ISRI**  
ISRINGHAUSEN

89110-05 Drivers Side Seat with Charcoal Cloth - Suits most Kenworth, Freightliner & Western Star vehicles. **\$3,509.40**

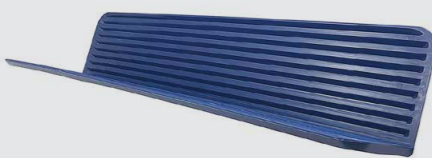
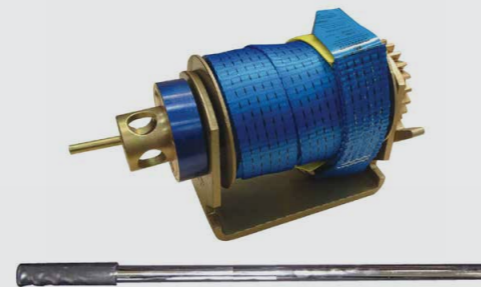


## ANCRA® LOADBINDERS & GRADE 70 CHAIN KITS

LB0302	8mm-10mm Ratchet Loadbinder with Grab Hooks	<b>\$41.60</b>
49796-10	8mm-10mm Loadbinder with Grab Hooks	<b>\$28.60</b>
40552-8MM-9M-GH	Chain Kit 8mm x 9m with Winged Grab Hooks (Grade 70)	<b>\$72.80</b>
40552-10MM-9M-GH	Chain Kit 10mm x 9m with Winged Grab Hooks (Grade 70)	<b>\$116.60</b>

## ANCRA® WINCHES WITH STRAPS & WINCH BAR

4920320	Slide-On Winch with 50mm x 9m Strap	<b>\$59.60</b>
4356420	Clip-On Winch with 50mm x 9m Strap	<b>\$76.10</b>
4920320RC	Slide-On Ratchet Cap Winch with 50mm x 9m Strap	<b>\$82.90</b>
4356420RC	Clip-On Ratchet Cap Winch with 50mm x 9m Strap	<b>\$97.20</b>
4231310	Straight Winch Handle with Grip - 550mm Long	<b>\$15.95</b>



## ANCRA® PALLET ANGLES

FLCP40001040MM	1040mm - Tiedown Strap type	<b>\$17.55</b>
3478L	130mm - Chain type	<b>\$16.25</b>

## WATTS WHEELS® STAINLESS STEEL WHEEL SIMULATOR KIT

To suit various Japanese truck models with 6 Stud Wheels including Isuzu, Hino, Fuso & UD Trucks.

ISRT-1606S	16" x 5.5" 6 Stud	<b>\$664.00</b>
ISRT-1756	17.5" x 6" 6 Stud	<b>\$664.00</b>
ISRT-1756DP	17.5" x 6.75" 6 Stud	<b>\$664.00</b>
ISRT-1956	19.5" x 6.75" 6 Stud	<b>\$791.80</b>



## WATTS WHEELS® CHROME PLASTIC AXLE COVER SET

Includes: 4 x Rear Axle Covers, 2 x Front Axle Covers, 60 x Screw-on Nutcovers.

AFKL001PL	285mm PCD 10 Stud with 33mm Wheel Nuts	<b>\$461.80</b>
-----------	--	-----------------



# All Makes

## REDARC® HAND BRAKE ALARM

The REDARC Handbrake Alarm is used to monitor the handbrake switch and doorframe switch, providing audible and visual warning if the door is opened while the handbrake is not applied.

HBA1224	Hand Brake Alarm 12-24 Volt	<b>\$202.05</b>
HBAKIT-001	Connector Kit - to suit HBA1224	<b>\$17.70</b>



## REDARC® PURE SINE WAVE INVERTERS

Produces a pure sine wave output, essential for powering 240V equipment drawing power from a 12V battery while on the road.

R12700RS	12V 700W Inverter	<b>\$669.60</b>
R121500RS	12V 1500W Inverter	<b>\$1,132.55</b>

# Merchandise



**92958875**  
ISUZU N-SERIES  
TOY TRUCK  
(NOT FOR CHILDREN UNDER 3 YEARS)  
**\$34.35**



**92957127**  
SPORTS BAG  
(BLACK)  
**\$56.25**



**92958312**  
BACKPACK BAG  
(BLACK)  
**\$52.80**



**92958816-18**  
BASEBALL CAP  
(AVAILABLE IN RED,  
BLACK OR CHARCOAL)  
**\$28.50**



**92957990**  
CABLE KNIT BEANIE  
(BLACK)  
**\$11.95**



**92957992**  
BADGE BEANIE  
(BLACK)  
**\$15.25**



**92957271**  
DRIVERS MUG  
WITH HANDLE  
**\$18.05**



**92958137**  
THERMO DRINK  
BOTTLE 500ML  
(RED)  
**\$13.60**



**92958281-93**  
MENS & WOMENS  
PUFFER VESTS  
(VARIOUS SIZES)  
**\$60.90**



**92958770-76**  
MENS & WOMENS  
PUFFER JACKETS  
(VARIOUS SIZES)  
**\$80.60**



**92957825-37**  
MEN'S & WOMEN'S  
SOFTSHELL JACKET  
(VARIOUS SIZES)  
**\$59.75**



**92957014-18**  
2-IN-1 HIGH-VIS  
SAFETY VEST  
(VARIOUS SIZES)  
**\$76.50**



**9295686-93**  
HI-VIS HOODIE  
(VARIOUS SIZES)  
**\$43.90**

# Isuzu Trucks Dealer Network

Isuzu has the largest truck dealer network in the country, with all 73 locations providing the highest quality Genuine Parts, backed by industry-leading support and warranty. This all means reduced downtime for our customers, freeing them up to focus on the important stuff. And when the parts are fitted by an authorised Isuzu technician, you'll be helping extend the working life of your truck and getting peace-of-mind that money just can't buy. Because reliability is everything!



Find your nearest dealer by simply scanning the QR code.